

Revisions				216642	A
LAL	Rev.	Description	Chk	Date	Approved
	A	ENGRG RELEASE	RF	11-4-77	R. Freeman

**ENGINEERING
RELEASE**

THIS DOCUMENT CONTAINS 13 SHEETS


Dist Code SPG

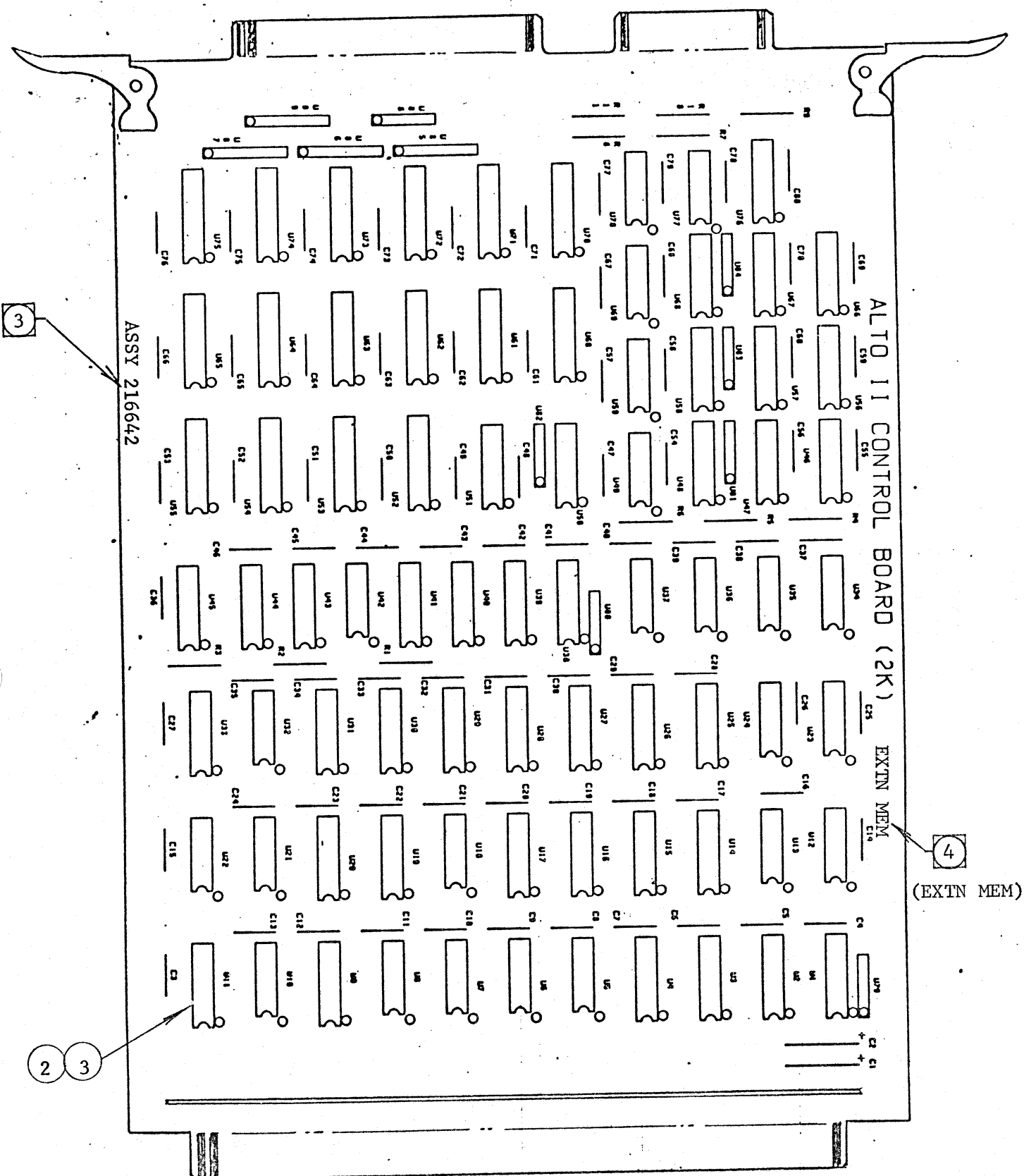
<p>These drawings and specifications, and the data contained therein, are the exclusive property of Xerox Corporation and/or Rank Xerox, Ltd. issued in strict confidence and shall not, without the prior written permission of Xerox Corporation or Rank Xerox, Ltd., be reproduced, copied or used for any purpose whatsoever, except the manufacture of articles for Xerox Corporation or Rank Xerox, Ltd.</p>	Notes Unless Specified	Drawn <i>M. Schmitt</i> 11-10-77	Xerox Corporation El Segundo, California		
	<p>1. Tolerances .XX ±.03 Angular ±½° .XXX ±.010</p> <p>2. Break All Sharp Edges .010 Approx.</p> <p>3. Mach. Surfaces <input checked="" type="checkbox"/></p> <p>4. All Dim. in Inches.</p>	Check	<p>Title</p> <p style="text-align: center; font-size: 1.2em;">XEROX</p> <p style="text-align: center;">ASSY, PRINTED WIRING- CONTROL BOARD (2K) (EXTENDED MEMORY)</p>		
		Appr. <i>R. Freeman</i> 11-4-77			
		Material			
Model No. First Use	Finish	Code Ident.	Size	Dwg. No.	Change Letter
ALTO II		18338	A	216642	
Next Assy. First Use	216647	Scale	Do Not Scale Drawing		Sheet 1 OF

NOTES: UNLESS OTHERWISE SPECIFIED

1. MAKE FROM ASSY, P W - CONTROL BOARD (2K) P/N 216484 REV. B (ITEM 1).
2. THE FOLLOWING MODIFICATIONS ARE REQUIRED TO CONVERT CONTROL BOARD (2K), ITEM 1, TO EXTENDED MEMORY CONTROL BOARD (2K).
 - 1) CUT ETCH BETWEEN PIN 109 AND FEEDTHRU UNDER U9 (ETCH SIDE).
 - 2) | | PIN 108 AND FEEDTHRU. (ETCH SIDE).
 - 3) | | PIN 107
 - 4) | | PIN 106
 - 5) | | PIN 105
 - 6) | | PIN 62
 - 7) CUT ETCH BETWEEN PIN 63 AND FEEDTHRU. (ETCH SIDE).
 - 8)
 - 9)
 - 10)
 - 11) ADD WIRE FROM U11-1 TO U11-2 TO U17-1.
 - 12) | | U11-4 | U11-5 | U17-2.
 - 13) | | U11-11 | U11-12 | U17-3.
 - 14) | | U11-14 | U11-15 TO U17-5.
 - 15) | | U11-7 | U11-8.
 - 16) | | U11-3 | PIN 105.
 - 17) | | U11-6 | PIN 106.
 - 18) | | U11-10 | PIN 107.
 - 19) | | U11-13 | PIN 108.
 - 20) ADD WIRE FROM U16-15 TO PIN 109.
 - 21)
 - 22)
 - 23)
 - 24)
 - 25)
 - 26) INSTALL MICROCIRCUIT, 74S00 (ITEM 2) IN LOCATION U11 PIN 1-7 AND 10-16.

- 3 RUBBER STAMP "ASSY 216642" .12 HIGH, WHITE CHARACTERS.
- 4 RUBBER STAMP "EXTN MEM." .12 HIGH, WHITE CHARACTERS.

These drawings and specifications, and the data contained therein, are the exclusive property of Xerox Corporation and/or Rank Xerox, Ltd. issued in strict confidence and shall not, without the prior written permission of Xerox Corporation or Rank Xerox, Ltd., be reproduced, copied or used for any purpose whatsoever, except the manufacture of articles for Xerox Corporation or Rank Xerox, Ltd.	Title ASSY, PRINTED WIRING- CONTROL BOARD (2K) (EXTENDED MEMORY)		Xerox Corporation El Segundo, California		
			216642	A	
			Sheet	2	Of



ALTO II CONTROL BOARD (2K)

EXTN MEM

ASSY 216642

4
(EXTN MEM)

2 3

These drawings and specifications, and the data contained therein, are the exclusive property of Xerox Corporation and/or Rank Xerox, Ltd. issued in strict confidence and shall not, without the prior written permission of Xerox Corporation or Rank Xerox, Ltd., be reproduced, copied or used for any purpose whatsoever, except the manufacture of articles for Xerox Corporation or Rank Xerox, Ltd.

Title
 ASSEMBLY, P. W. -
 CONTROL BOARD (2K)
 (EXTENDED MEMORY)

Xerox Corporation El Segundo, California		XEROX	
216642			
Sheet	3	OF	

These drawings and specifications, and the data contained therein, are the exclusive property of Xerox Corporation and/or Rank Xerox, Ltd. issued in strict confidence and shall not, without the prior written permission of Xerox Corporation or Rank Xerox, Ltd., be reproduced, copied or used for any purpose whatsoever, except the manufacture of articles for Xerox Corporation or Rank Xerox, Ltd.

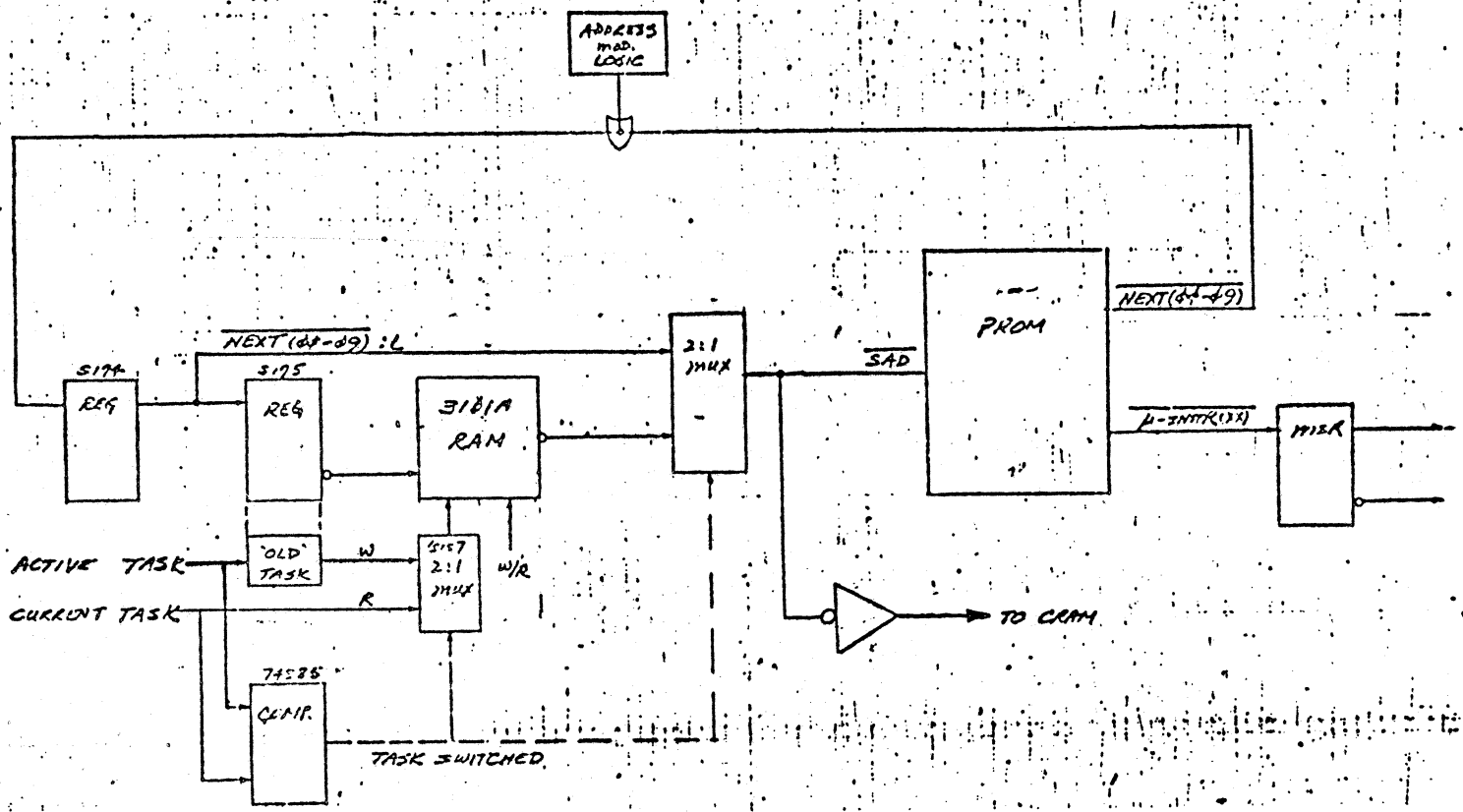
Title
 ASSY, P. W. -
 CONTROL BOARD (2K)
 (EXTENDED MEMORY)

Xerox Corporation
 El Segundo, California
 Sheet 5 of 01

XEROX

216642

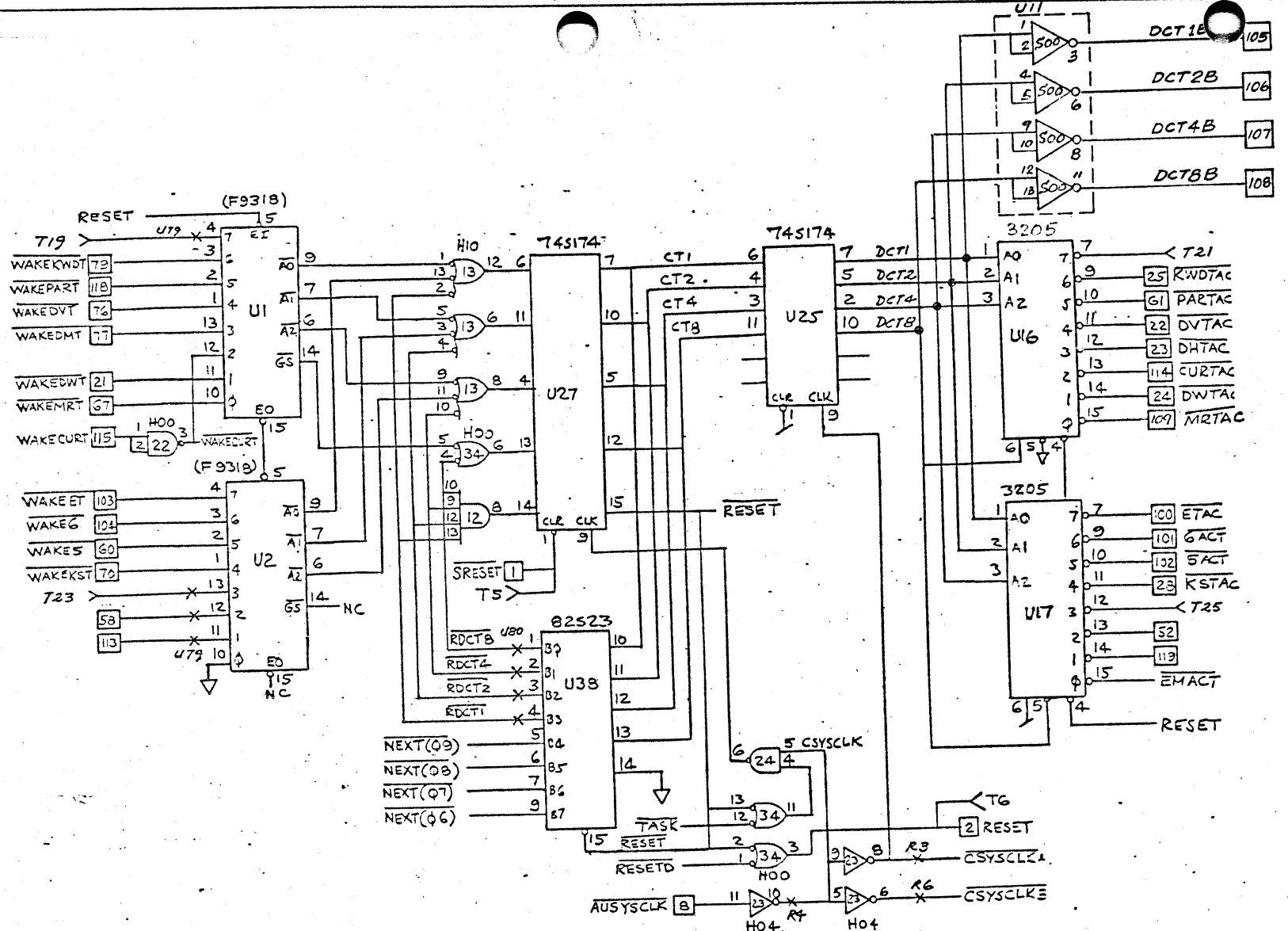
A



These drawings and specifications, and the data contained therein, are the exclusive property of Xerox Corporation and/or Rank Xerox, Ltd. issued in strict confidence and shall not, without the prior written permission of Xerox Corporation or Rank Xerox, Ltd., be reproduced, copied or used for any purpose whatsoever, except the manufacture of articles for Xerox Corporation or Rank Xerox, Ltd.

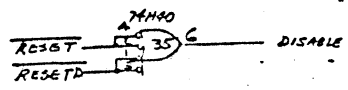
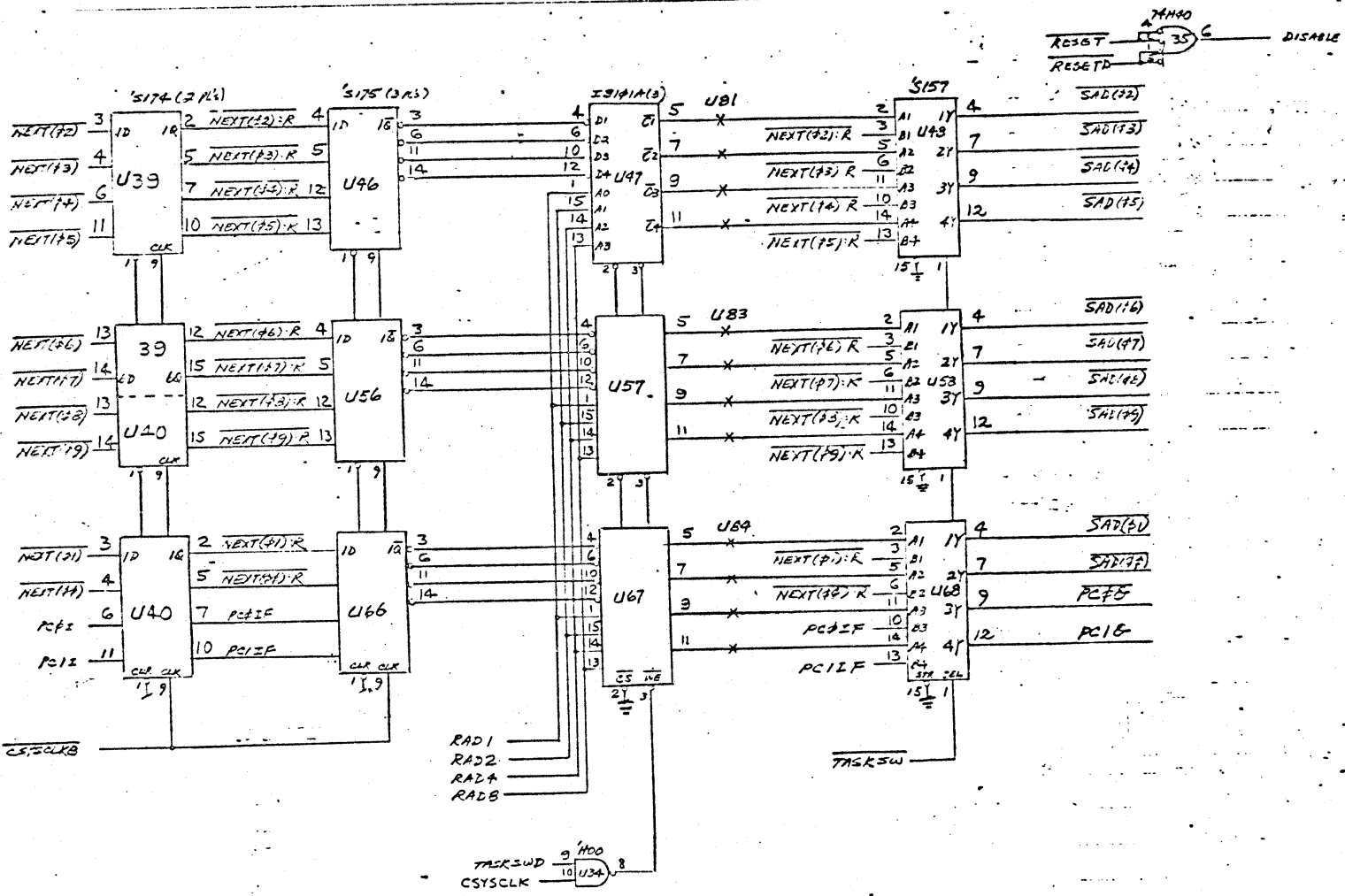
Title
**ASSEMBLY, P. W. -
 CONTROL BOARD (2K
 (EXTENDED MEMORY)**

Xerox Corporation
 El Segundo, California
 216642
 A



TASK PRIORITY ENCODER
 CURRENT TASK REGISTER

ACTIVE TASK DECODER



These drawings and specifications, and the data contained therein, are the exclusive property of Xerox Corporation and/or Rank Xerox, Ltd. issued in strict confidence and shall not, without the prior written permission of Xerox Corporation or Rank Xerox, Ltd., be reproduced, copied or used for any purpose whatsoever, except the manufacture of articles for Xerox Corporation or Rank Xerox, Ltd.

Title
ASSEMBLY, P. W. -
CONTROL BOARD (2K)
(EXTENDED MEMORY)

Xerox Corporation
 El Segundo, California
XEROX
 216642
 A
 Sheet 8 of

12851373

These drawings and specifications, and the data contained therein, are the exclusive property of Xerox Corporation and/or Rank Xerox, Ltd. issued in strict confidence and shall not, without the prior written permission of Xerox Corporation or Rank Xerox, Ltd., be reproduced, copied or used for any purpose whatsoever, except the manufacture of articles for Xerox Corporation or Rank Xerox, Ltd.

Title

ASSEMBLY, P. W. -
CONTROL BOARD (2K)
(EXTENDED MEMORY)

Xerox Corporation
El Segundo, California

XEROX

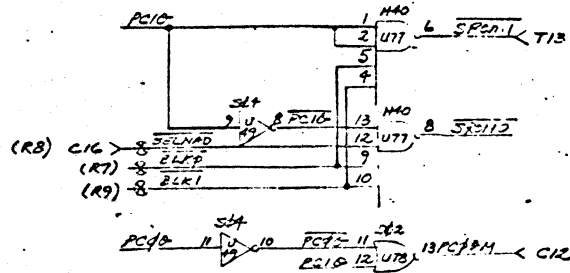
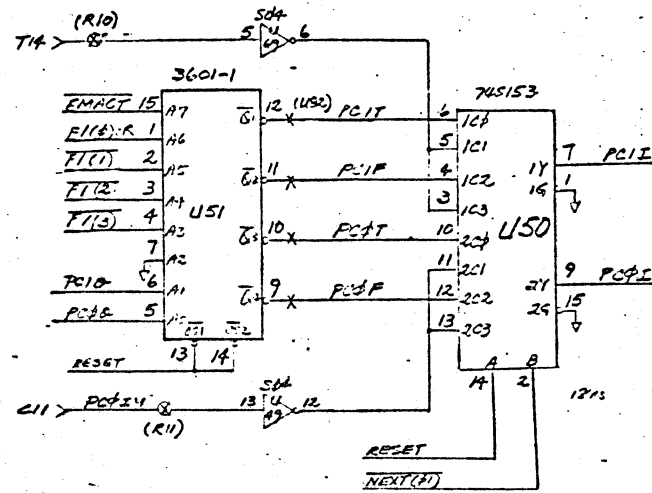
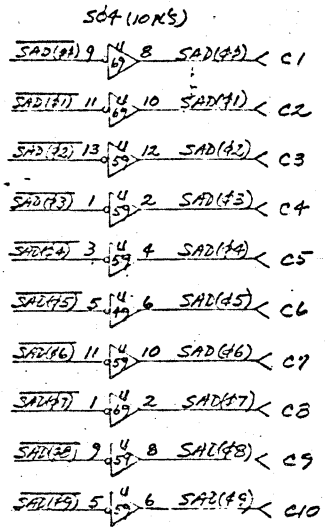
216642

A

Sheet

9

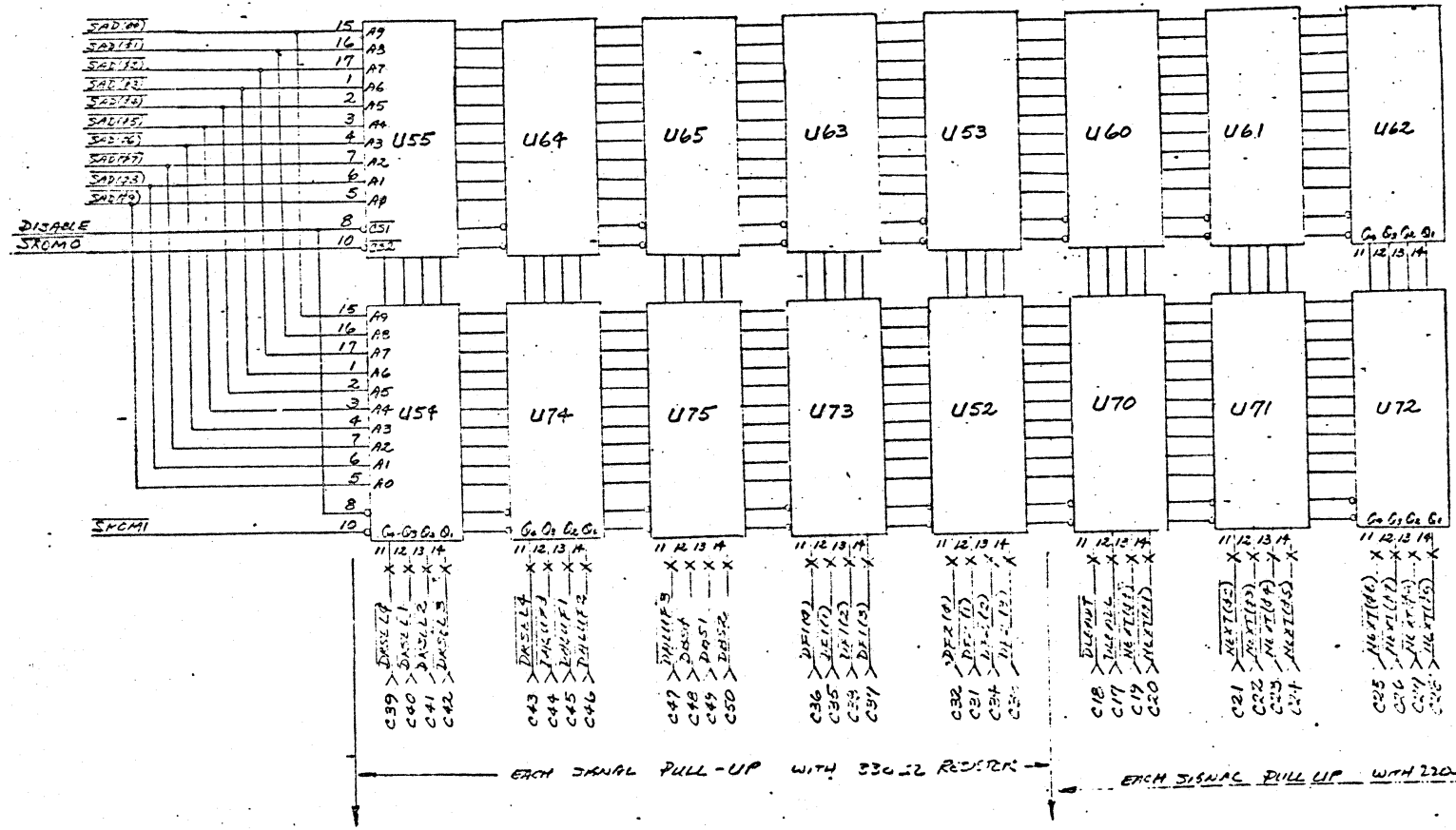
01



X EACH SIGNAL PULL-UP WITH 330 Ω RESISTOR
⊗ EACH SIGNAL PULL-UP WITH 1K Ω RESISTOR

(5814373)

SIGNETICS - 825136 (16 PLS)



φ-1777

200-3777

These drawings and specifications, and the data contained therein, are the exclusive property of Xerox Corporation and/or Rank Xerox, Ltd. issued in strict confidence and shall not, without the prior written permission of Xerox Corporation or Rank Xerox, Ltd., be reproduced, copied or used for any purpose whatsoever, except the manufacture of articles for Xerox Corporation or Rank Xerox, Ltd.

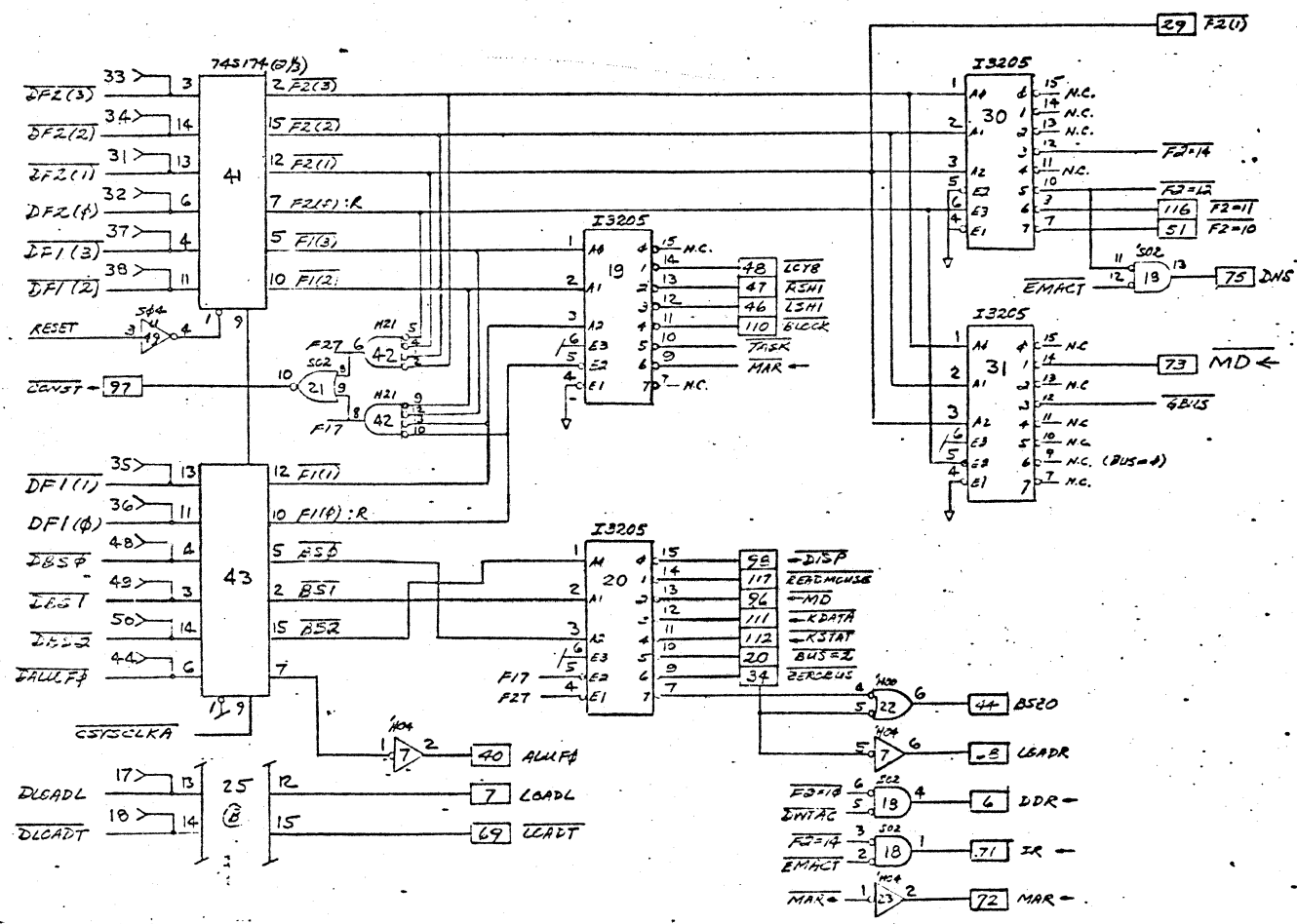
Title
**ASSEMBLY, P. W. -
 CONTROL BOARD (2K)
 (EXTENDED MEMORY)**

Xerox Corporation
 El Segundo, California
XEROX
 216642
 10 01
 A

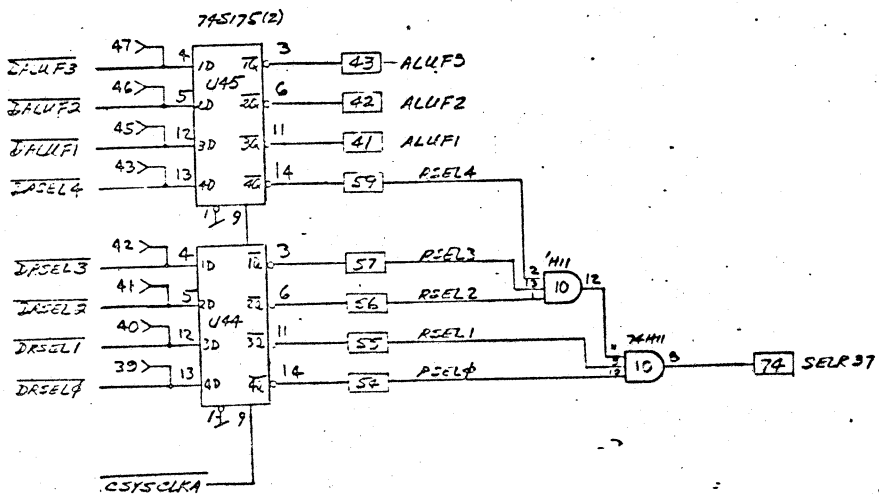
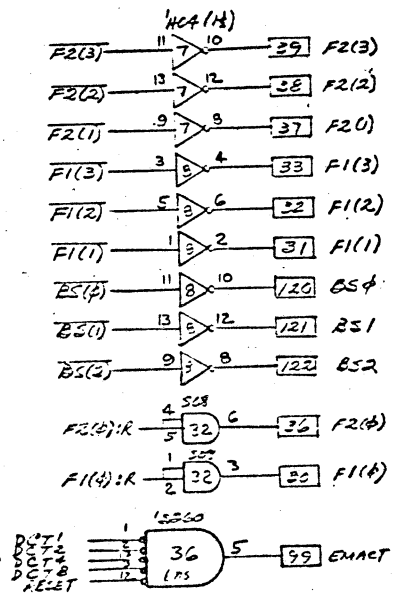
These drawings and specifications, and the data contained therein, are the exclusive property of Xerox Corporation and/or Rank Xerox, Ltd. issued in strict confidence and shall not, without the prior written permission of Xerox Corporation or Rank Xerox, Ltd., be reproduced, copied or used for any purpose whatsoever, except the manufacture of articles for Xerox Corporation or Rank Xerox, Ltd.

Title
 ASSEMBLY, P. W. -
 CONTROL BOARD (2K)
 (EXTENDED MEMORY)

Xerox Corporation
 El Segundo, California
 216642
 A
 Sheet 11 of



152563-73



These drawings and specifications, and the data contained therein, are the exclusive property of Xerox Corporation and/or Rank Xerox, Ltd. issued in strict confidence and shall not, without the prior written permission of Xerox Corporation or Rank Xerox, Ltd., be reproduced, copied or used for any purpose whatsoever, except the manufacture of articles for Xerox Corporation or Rank Xerox, Ltd.

Title
 ASSEMBLY, P. W. -
 CONTROL BOARD (2K)
 (EXTENDED MEMORY)

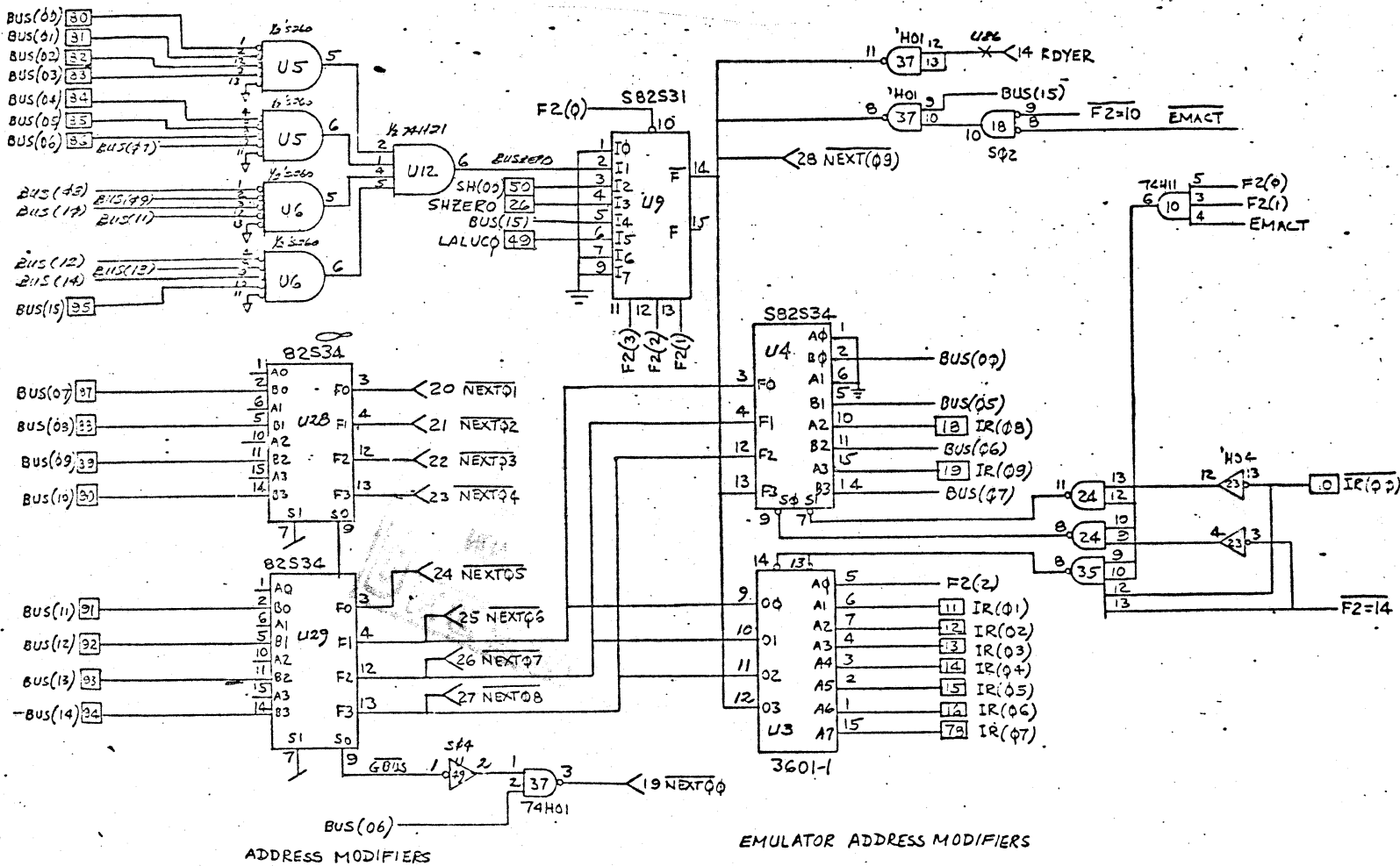
Xerox Corporation
 El Segundo, California

XEROX

216642

A

Sheet 12 of



These drawings and specifications, and the data contained therein, are the exclusive property of Xerox Corporation and/or Rank Xerox, Ltd. issued in strict confidence and shall not, without the prior written permission of Xerox Corporation or Rank Xerox, Ltd., be reproduced, copied or used for any purpose whatsoever, except the manufacture of articles for Xerox Corporation or Rank Xerox, Ltd.

Title
ASSEMBLY, P. W. -
CONTROL BOARD (2K)
(EXTENDED MEMORY)

Xerox Corporation
 El Segundo, California

Sheet 13 01
 216642
XEROX
 A

1526(3/73)